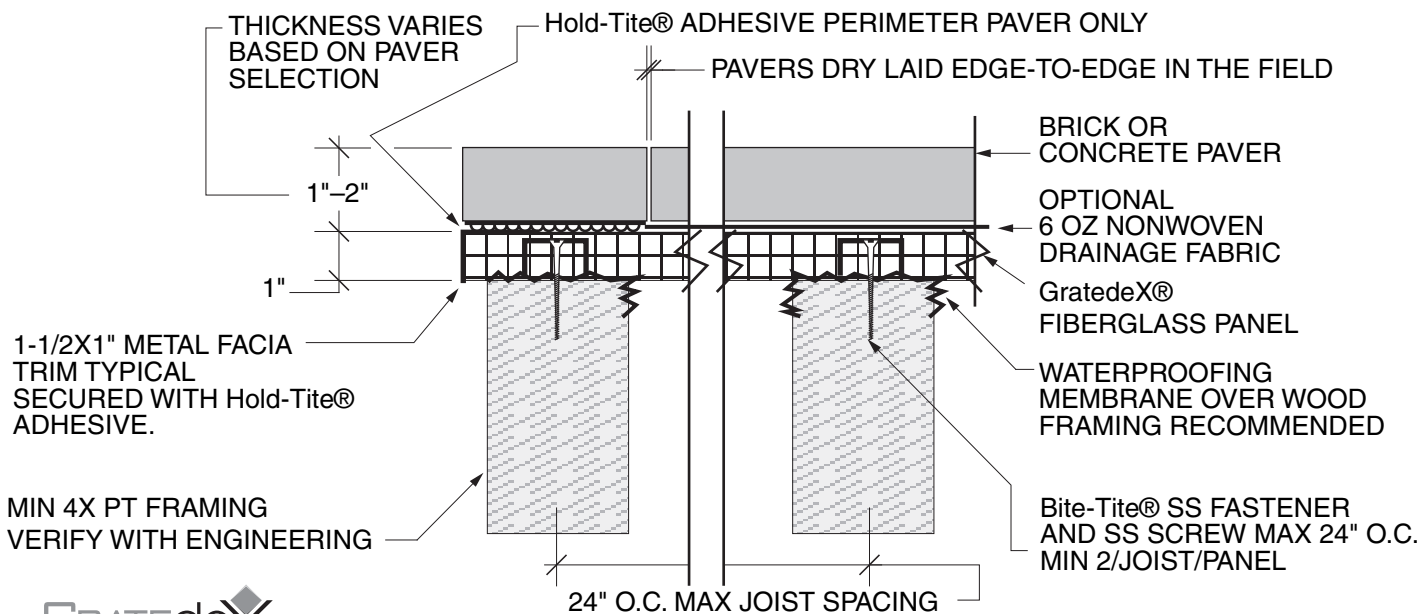
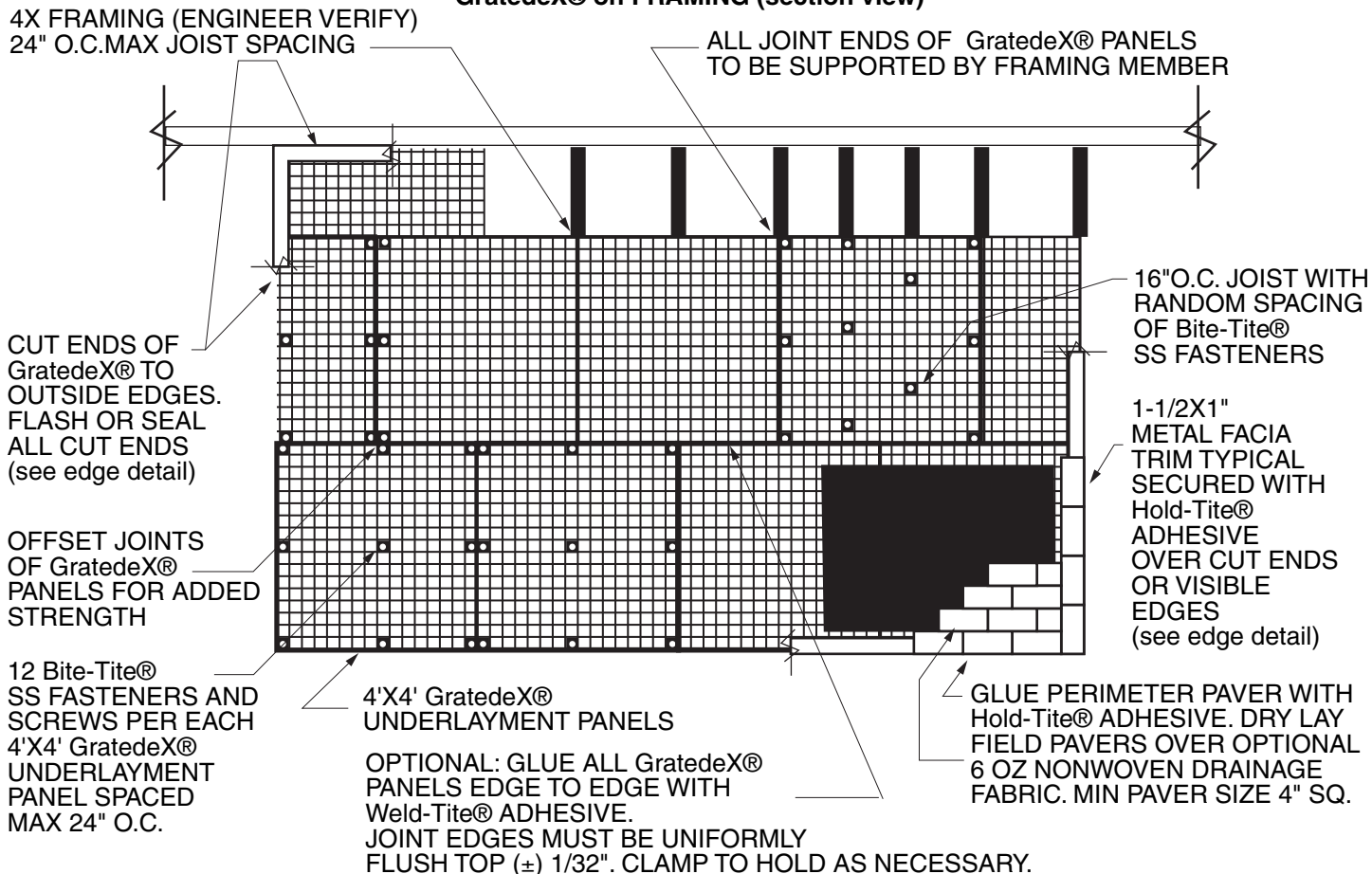


**GratedeX® PAVER on FRAMING (cross-section)**



05/01/08 • dexstone LLC, 2061 NW Alolek Dr., Ste. 907, Hillsboro OR 97124 • (503) 439-8872 • www.gratedex.com • ©2005 deXstone LLC. All Rights Reserved.

**GratedeX® on FRAMING (section view)**



\*NOTE: DEAD LOAD OF FINISHED GratedeX® ON FRAMING WITH 3/8"-1/2" STONE/TILE IS 8-10 LBS. PER SQ'. FOLLOW STANDARD DECK FRAMING BUILDING CODES FOR WOOD OR COMPOSITE DECKING SURFACES. SEE PRODUCT SPECS FOR ADDITIONAL INFORMATION.

05/01/08 • dexstone LLC, 2061 NW Alolek Dr., Ste. 907, Hillsboro OR 97124 • (503) 439-8872 • www.gratedex.com • ©2005 deXstone LLC. All Rights Reserved.